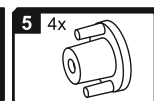
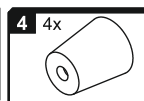
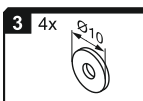
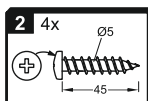
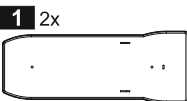
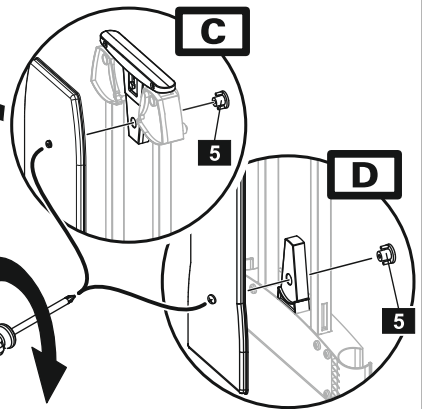
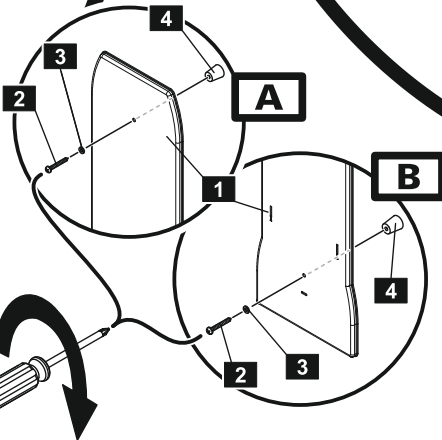
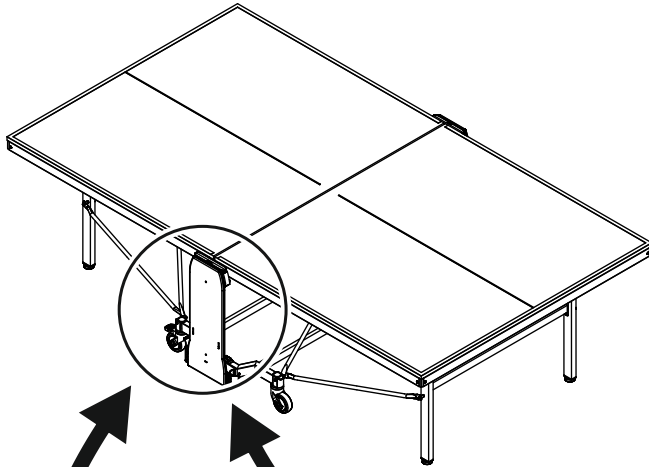
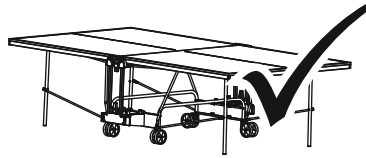


A

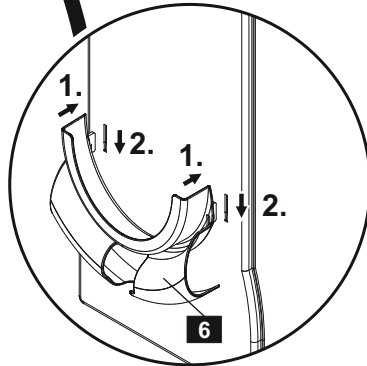
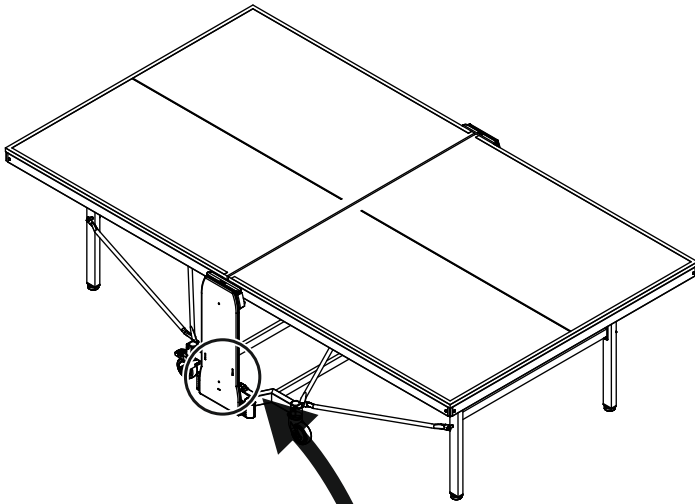
865.299.036

2x

B

865.299.036

2x



6 2x

